

# Wiffle Wipeout Game Elements

## Table of Contents

Appendix C – Wiffle Wipeout Playing Field .....	2
C.1 – Description .....	2
C.2 – Bill of Materials .....	2
C.3 – Perch and Tower Base.....	3
C.5 –Tower .....	5
C.5 – Low Dispenser.....	5
C.6 – High Dispenser.....	6
C.7 – Parking Platforms.....	7
C.8 – Bonus Ball.....	7
C.9 – Floor Goals and Collaboration Zone.....	7
C.10 – Center Diamond .....	8
C.11 – Element Placement.....	9

# Appendix C – Wiffle Wipeout Game Elements

## C.1 – Description

This appendix contains information on the construction and placement of the game elements used in Wiffle Wipeout.

## C.2 – Bill of Materials

The table below contains the materials needed for a single set of Wiffle Wipeout game elements.

Bill of Materials for Wiffle Wipeout							
	Purpose	Price	Unit	Quantity	Line Price	Distributor	Model/sku
<b>Wood</b>							
Plywood (2' x 4' x 1/4")	Parking Platforms, Center Diamond	\$6.39 each		1	\$6.39	Menards	1251243
Doweling (1/4" diameter)	Floor Goal, Collaboration Zone, Center Diamond	\$0.54 per 4'		3	\$1.62	Menards	437401
<b>Piping (Schedule 40)</b>							
1" PVC pipe	Perches, Tower	\$1.92 per 5'		2	\$3.84	Menards	6898520
2" PVC pip	Low and High Dispensers	\$4.18 per 5'		2	\$8.36	Menards	6898559
1" Tee	Perches, Tower	\$0.59 each		22	\$12.98	Menards	6896661
1" 90° degree	Perches, Tower	\$0.48 each		8	\$3.84	Menards	6896483
2" Tee	Low and High Dispensers	\$2.22 each		4	\$8.88	Menards	6897806
2" 90° degree	Low and High Dispensers	\$1.19 each		6	\$7.14	Menards	6892432
PVC glue (optional)		\$2.69 jar		1	\$2.69	Menards	6931160
PVC Cutting tool (optional)		\$9.97 each		1	\$9.97	Lowe's	Kobalt 8-2090943048
<b>Paint</b>							
White Semi-gloss Spray Paint	Parking Platforms, Center Diamond	\$3.77 each		1	\$3.77	Menards	Rustoleum 557-7884
Black Semi-gloss Spray Paint	Bonus Balls	\$3.77 each		1	\$3.77	Menards	Rustoleum 557-7897
<b>Miscellaneous</b>							
Red Duct Tape	Goal Marker	\$3.37 roll		1	\$3.37	Menards	5643006
Blue Duct Tape	Goal Marker	\$3.37 roll		1	\$3.37	Menards	5643003
Big Red Ball (approx. 15" diameter)	Game Element	\$2.50 each		1	\$2.50	Walmart	Hedstrom 0-3314903303-5
Orange Wiffle Golf Balls (with holes)	Game Element	\$5.58 15 pack		3	\$16.74	Amazon.com	
Pink Wiffle Golf Balls (with holes)	Game Element	\$5.58 15 pack		1	\$5.58	Amazon.com	
<b>Total</b>					<b>\$104.81</b>		

## C.3 – Perch and Tower Base

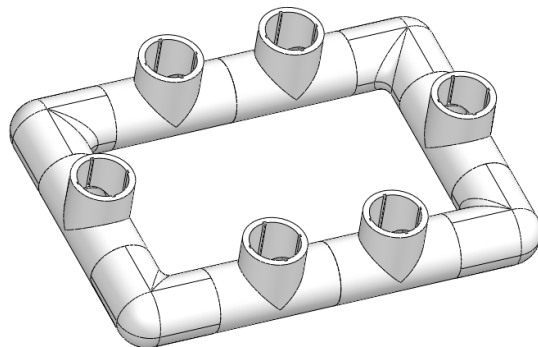
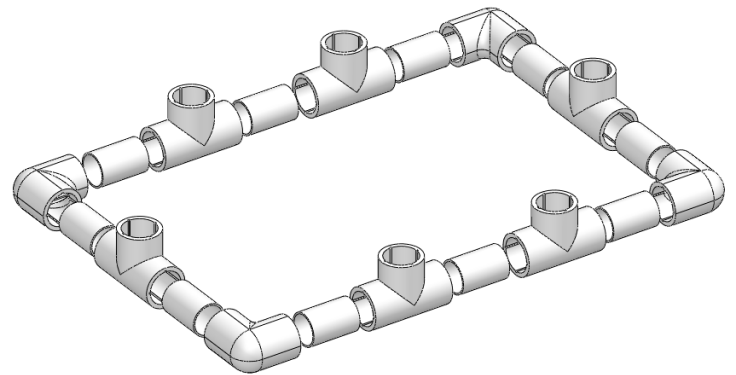
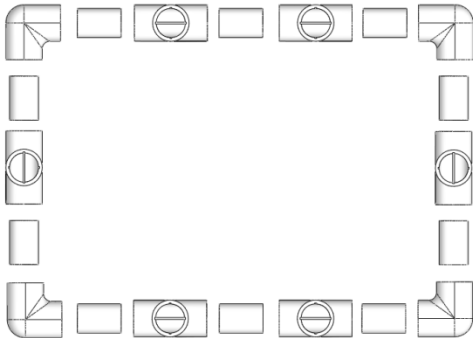
This section contains information for the creation of the Perch and Tower Base that are used in *Wiffle Wipeout*. Two of these are needed for this year's game.

### Materials

- 8 1" 90-degree corner
- 12 1" Tee-joint
- Approximately a 30" long section of 1" pipe
- Pipe Cutter
- PVC glue (recommended)
- Tape measure or ruler

### Steps

1. Cut one (1) 1.25" filler piece from the straight portion of the 1" pipe
2. Check to see the clearance when inserted between a 90-degree corner and a Tee-joint. The filler piece should be short enough to allow the corner and the Tee to be touching.
3. If the corner and the Tee do not meet, remove the filler and adjust until the proper fit is found. The filler should be as long as possible to provide a better hold for the glue.
4. When the proper fit is found, cut nineteen (19) more filler pieces.
5. Fit all pieces together, without glue, according to the figure below. Remember that two (2) bases are created in this step. This will ensure that everything fits before gluing all of it together.
6. If glue is being applied, follow the instructions on the can to secure all parts. Be careful to make all Tee-joints vertical as the glue dries.



## C.4 – Tower

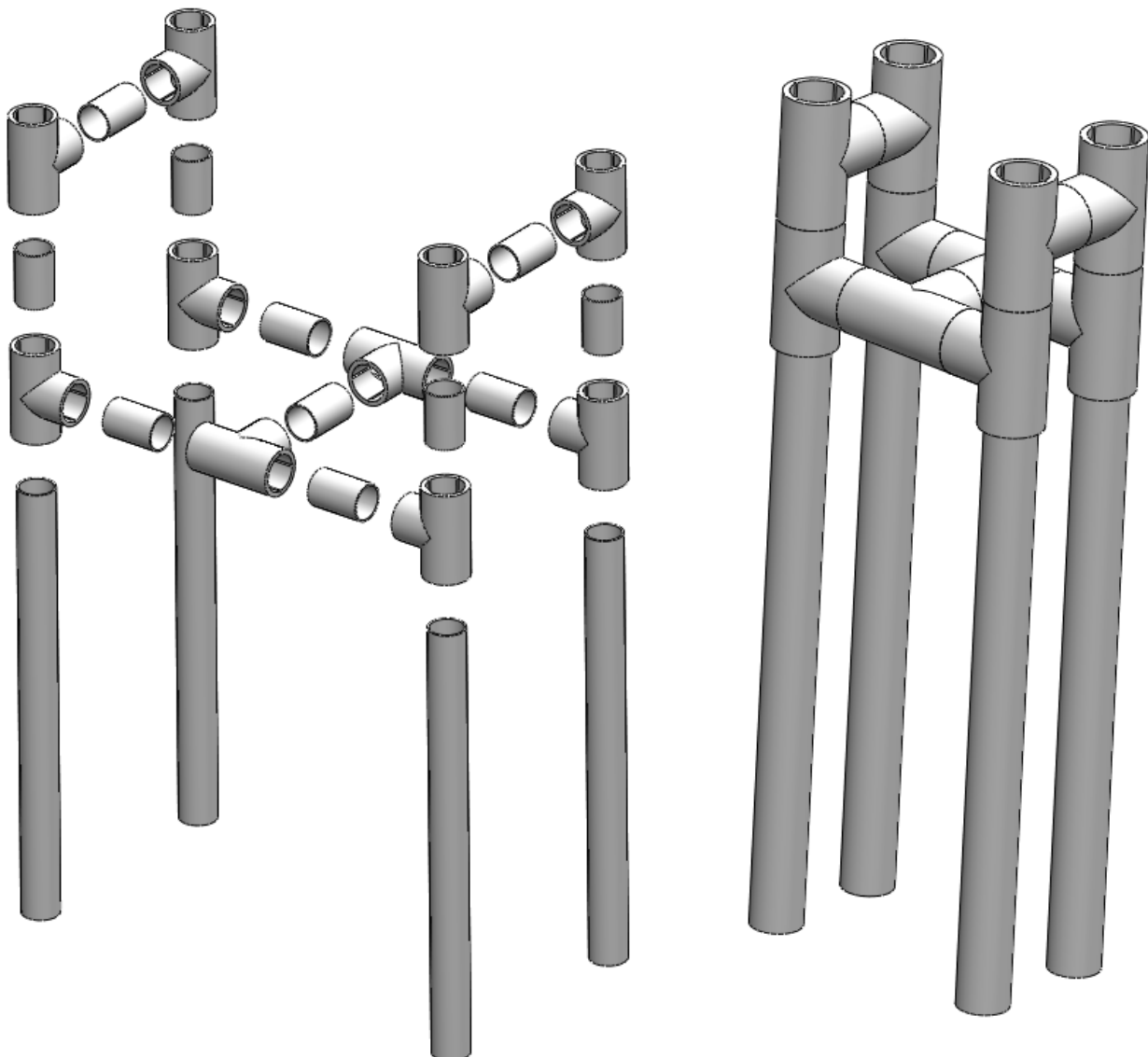
This section contains information for the creation of the Rack System that is used in *Wiffle Wipeout*. The Tower interfaces with the *Tower Base*.

### Materials

- 10 1" Tee-joint
- Approximately a 80" long section of 1" pipe
- Pipe Cutter
- PVC glue (recommended)
- Tape measure or ruler

### Description

1. Cut straight portions of pipe in the following lengths: 15"(4x), 1.25"(11x)
2. The four (4) 15" portions are for the legs of the tower.
3. The eleven (11) 1.25" portions are for filler between joints.



## C.5 – Low Dispenser

This section contains information for the creation of the *Low Dispenser* that is used in *Wiffle Wipeout*.

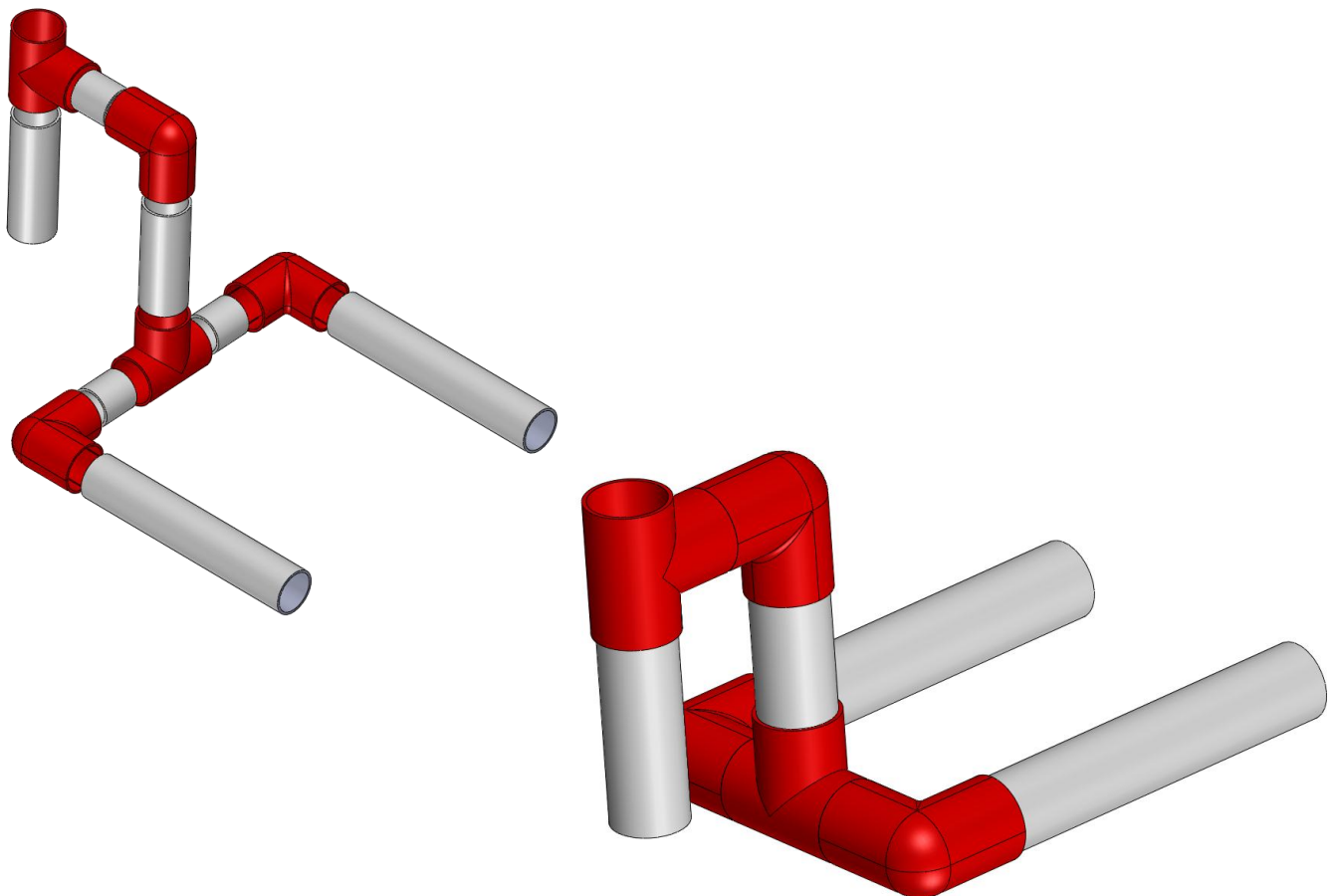
### Materials

- 3 2" 90-degree corners
- 2 2" Tee-joints
- Approximately a 40" long section of 2" pipe
- Pipe Cutter
- Tape measure or ruler
- PVC glue (recommended)

### Description

1. Cut straight portions of pipe in the following lengths: 12"(2x), 8"(1x), 7"(1x), 2"(3x)
2. The two (2) 12" portions are the rear facing legs.
3. The three (3) 2" sections are filler pieces between corners and Tee's.
4. The one (1) 7" section is the upright.
5. The one (1) 8" section is the tube that holds the wiffle balls.

NOTE: The dimensions of the upright and the ball tube can be different based on the type of fittings that are used. The goal of this is to have the bottom of the ball tube be approximately 1.5 ball diameters above the field tile.



## C.6 – High Dispenser

This section contains information for the creation of the *High Dispenser* that is used in *Wiffle Wipeout*.

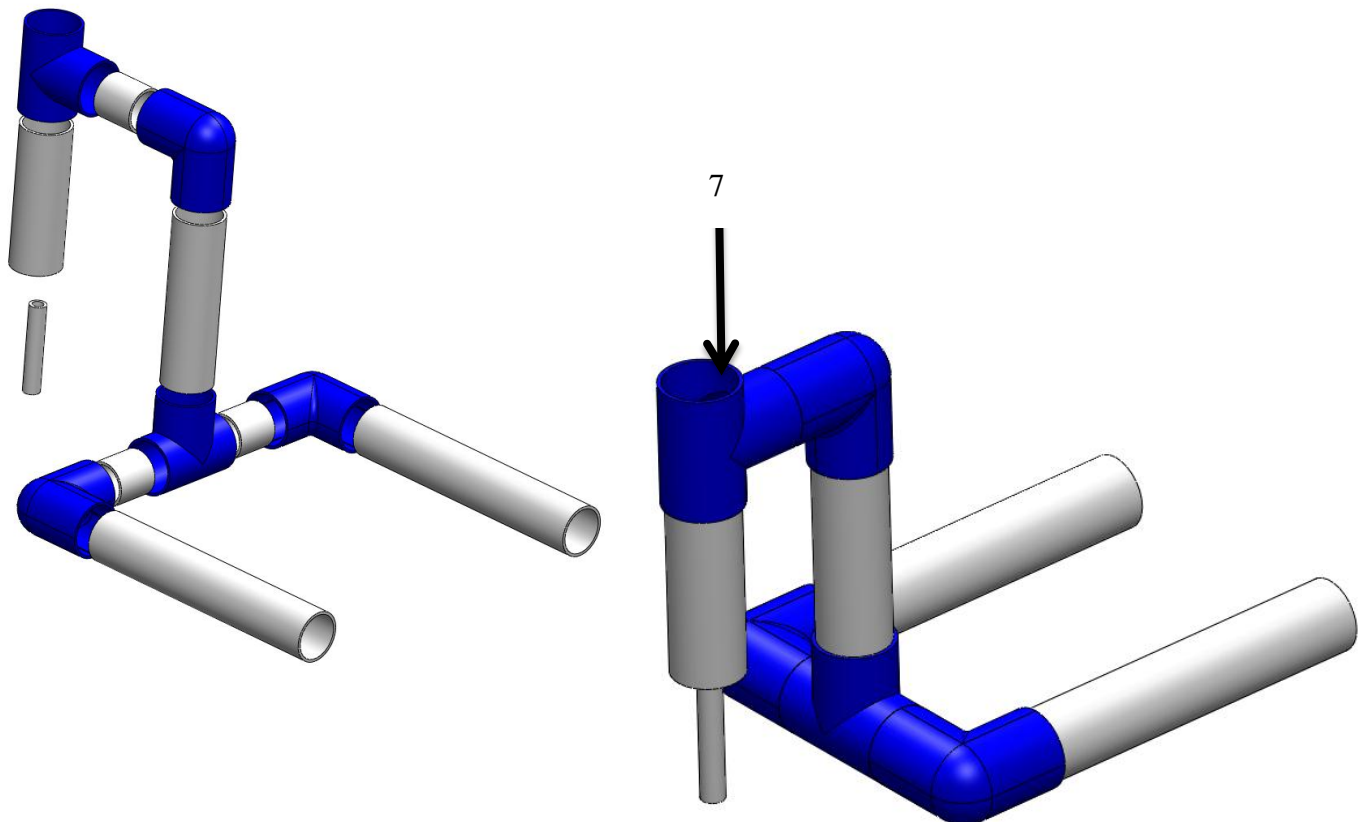
### Materials

- 3 2" 90-degree corners
- 2 2" Tee-joints
- Approximately a 45" long section of 2" pipe
- 4" long section of 1" pipe
- Pipe Cutter
- Tape measure or ruler
- Tape
- PVC glue (recommended)

### Description

1. Cut straight portions of pipe in the following lengths: 12"(2x), 9"(1x), 6"(1x), 2"(3x)
2. The two (2) 12" portions are the rear facing legs.
3. The three (3) 2" sections are filler pieces between corners and Tee's.
4. The one (1) 9" section is the upright.
5. The one (1) 6" section is the tube that holds the wiffle balls.
6. The 1" pipe section is used to hold the balls in the tube at the beginning of a match.
7. A strip of tape needs to be applied to cover the leg of the tee that leads to the neck (see below). This strip prevents balls from falling in.

NOTE: The dimensions of the upright and the ball tube can be different based on the type of fittings that are used. The goal of this is to have the bottom of the ball tube be approximately four (4) inches above the field tile.



## C.7 – Parking Platform (2x)

This section contains information for the creation of the Parking Platforms that are used in *Wiffle Wipeout*.

NOTE: It is the intent of the CREATE Foundation to reuse components of the field as possible. These platforms represent one of those building blocks that may be reused.

### Materials

- 1 1/4" plywood sheet
- 1 White Spray Paint
- Method of cutting the plywood
- Tape measure or ruler

### Steps

1. Cut two (2) 15" x 15" squares from the plywood
2. Spray paint all sides.

## C.8 – Bonus Ball (1x)

The bonus ball is one (1) wiffle ball spray painted black.

## C.9 – Floor Goals and Collaboration Zone

The floor goals are made up of the red duct tape over the wooden doweling. Each *Floor Goal* requires a single 12" long portion of 1/4" doweling. The Collaboration Zone uses three 12" lengths of 1/4" doweling.

## C.10 – Center Diamond

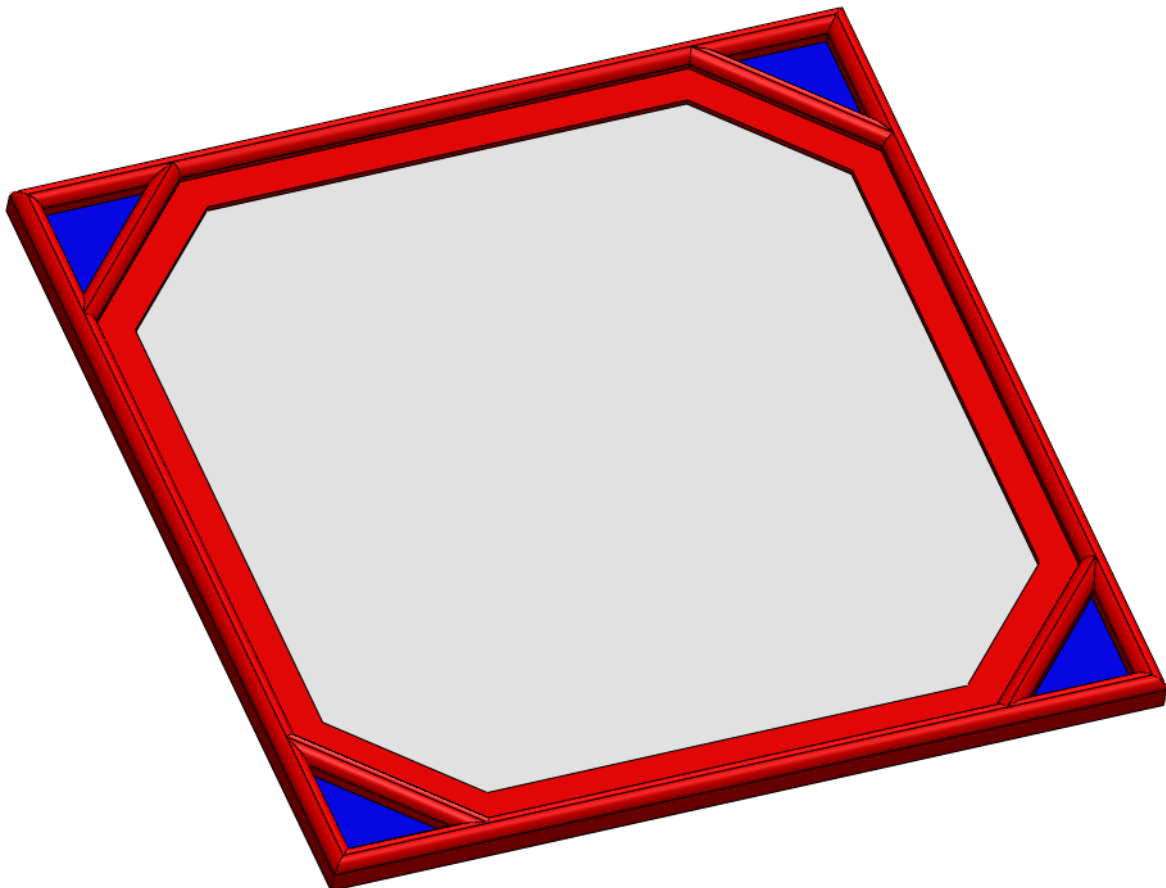
This section contains information for the creation of the Center Diamond that are used in *Wiffle Wipeout*.

### Materials

- 1 1/4" plywood sheet
- 1 White Spray Paint
- Approximately 7' of 1/4" doweling
- Red Duct Tape
- Blue Duct Tape
- Method of cutting the plywood
- Tape measure or ruler

### Steps

1. Cut one (1) 18" x 18" square from the plywood
2. Spray paint all sides white.
3. Cut the doweling to form a continuous ridge around the top edge of the board. (4x 18" lengths)
4. Tape the doweling down with the red duct tape.
5. Cut four (4) 4" lengths and tape them down with red tape to form the corner triangles.
6. Fill the corners with blue duct tape.





## C.11 – Element Placement

All descriptions are based off of the figure shown below.

The *Floor Goals* are made up of one dowel each. These dowels form triangles in the upper and lower right corners of the field.

The *Perches* are centered on the tile intersection as shown with its long dimension being vertical.

The *Tower* is centered on the tile intersection as shown with its long dimension being horizontal.

The *Parking Platforms* are against the left field wall and in the upper and lower left corners of the field.

The *Dispensers* are placed outside of the field along the top and bottom walls. The 'high' dispenser, blue, contains ten orange wiffle balls. The 'low' dispenser, red, contains four pink wiffle balls.

The *Collaboration Zone* is centered along the right wall and is bordered on three sides by taped dowels.

The remaining wiffle balls are grouped in four six-ball triangles. See the figure for placement.

